



OUR PRODUCTS

BLDC Series Submersible Pumps

Our BlueSelect cutter pump equipped with BLDC motor technology combines the solids-handling performance of a cutter pump with the high-efficiency, low-maintenance benefits of a brushless DC motor.

MODELS

- ✓ BCA-BLDC-550-32-1
- ✓ BCA-BLDC-750-32-1



BLDC motors offer longer lifespan, higher efficiency, quieter operation, and reduced maintenance because they eliminate brush wear and use electronic commutation with permanent magnets. Cutter pumps themselves are designed to cut and shred solids like wipes, rags, and debris before pumping, helping prevent clogging, downtime, and efficiency loss in sewage and wastewater applications.

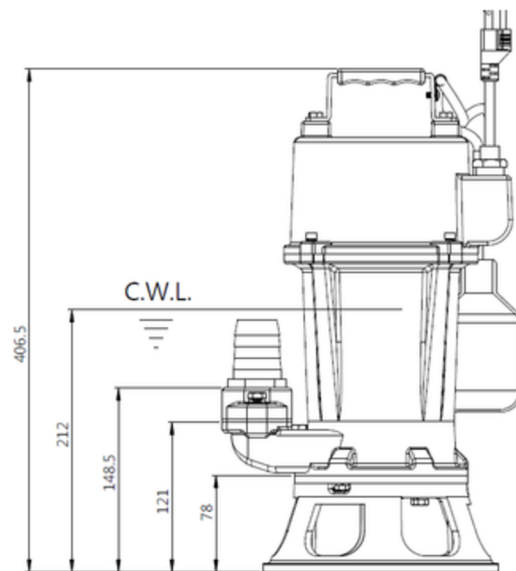
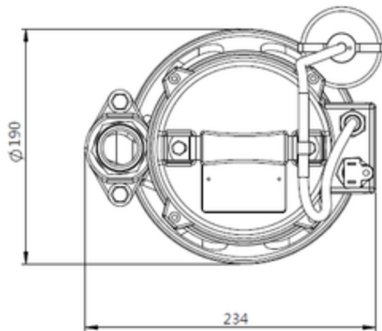
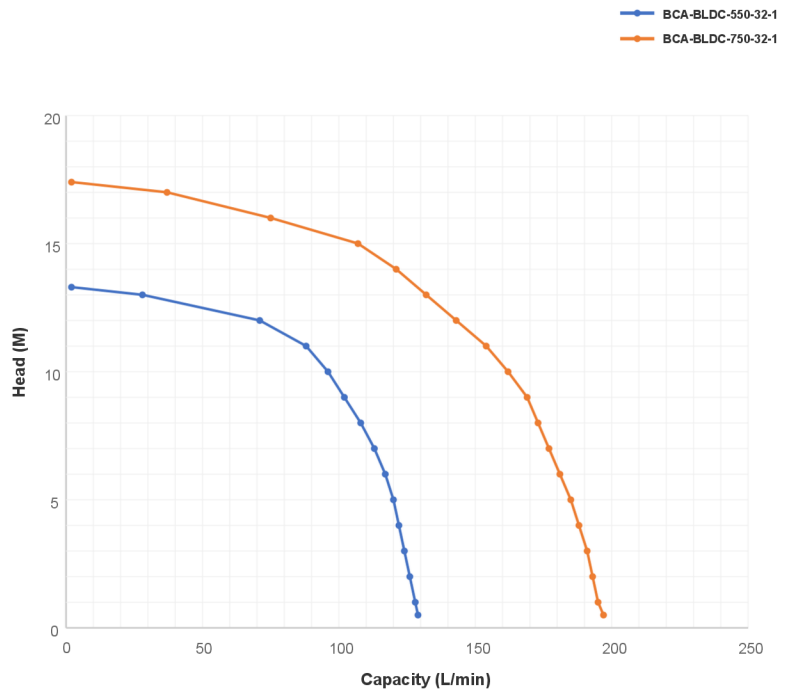
Together, this pairing delivers a pump that is more energy-efficient, reliable, clog-resistant, and capable of sustained performance with minimal servicing.



FEATURES:

- ✓ Comes pre-wired with Neoprene float switch for automatic operation - Once float switch hits low level, a 10 second timer commences to empty the pit further without running dry
- ✓ Brushless DC motor with higher starting torque to avoid tripping power
- ✓ Robust design with stable feet and vertical discharge
- ✓ Ideal for small pits to cut and pump wet wipes, sanitary pads, material and cloth, gloves

GCB Series Performance Curve (Detailed Points)



CONTACT OUR
SALES TEAM TODAY
1800 810 670

sales@southernpumping.com.au
southernpumping.com.au

