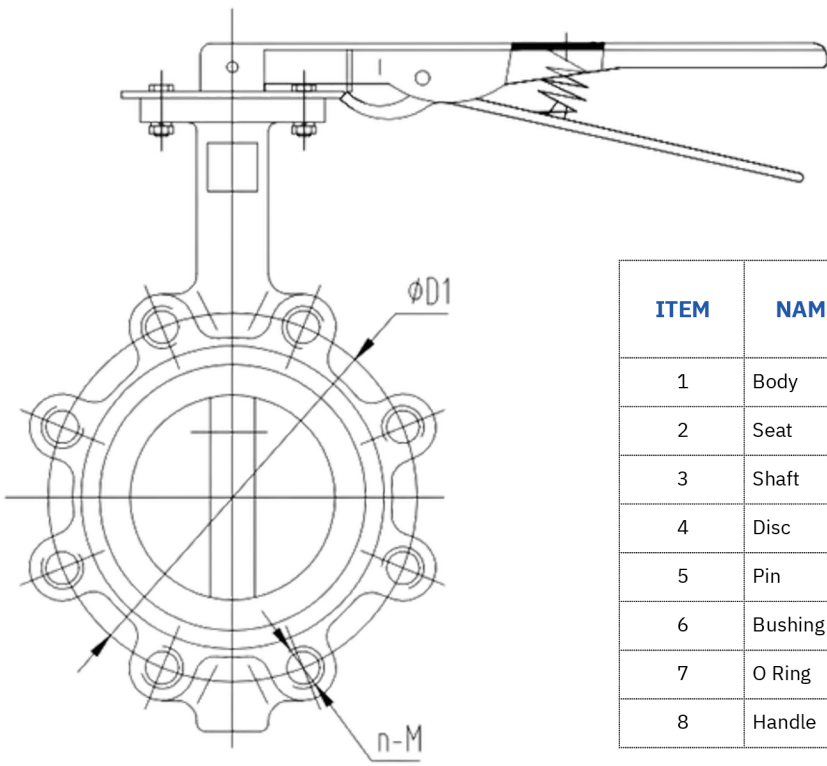


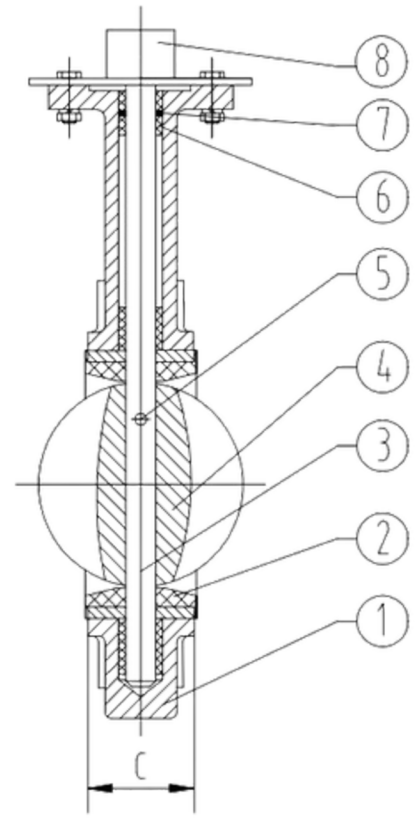
Butterfly Valve - Lugged

Maxaflex Lugged Butterfly Valves provide robust flow control with added stability. Built with a strong ductile iron body, 304 stainless steel disc, and EPDM rubber for effective sealing, this valve is rated to 16 bar. The lugged design offers secure attachment to piping systems, enabling easy maintenance without interrupting the entire line. Ideal for more demanding industrial applications, the handle mechanism ensures smooth and effortless operation.





ITEM	NAME	MATERIAL
1	Body	DI
2	Seat	EPDM
3	Shaft	SS416
4	Disc	CF8
5	Pin	SS304
6	Bushing	PTFE
7	O Ring	NBR
8	Handle	



Body: Ductile Iron

Pressure Rating: 16bar

Disc: 304SS

Opening Mechanism: Handle

Rubber: EPDM

SPECIFICATIONS

Part Number	Size		C	AS2129 Table E	
	Inches	DN		D1	n-M
BFLY-LE-50	2	50	42	114	4-M16
BFLY-LE-65	2 1/2	65	44.7	127	4-M16
BFLY-LE-80	3	80	45.2	146	4-M16
BFLY-LE-100	4	100	52.1	178	8-M16
BFLY-LE-125	5	125	54.4	210	8-M16
BFLY-LE-150	6	150	55.8	235	8-M20
BFLY-LE-200	8	200	60.6	292	8-M20



**CONTACT OUR
SALES TEAM TODAY**
1800 810 670

sales@southernpumping.com.au
www.southernpumping.com.au



**SOUTHERN
PUMPING**

