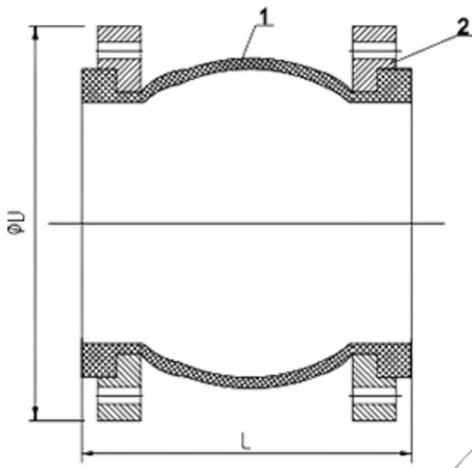


Rubber Bellow

Maxaflex Rubber Bellows are engineered for flexibility and strength, featuring a robust Table E cast steel flange and durable EPDM rubber construction. With a pressure rating of 16 bar, these bellows are designed to absorb movement, vibration, and noise, making them ideal for reducing stress on piping systems. Whether in water management, HVAC, or industrial applications, Maxaflex Rubber Bellows offer reliable performance, enhancing the longevity and efficiency of your infrastructure.

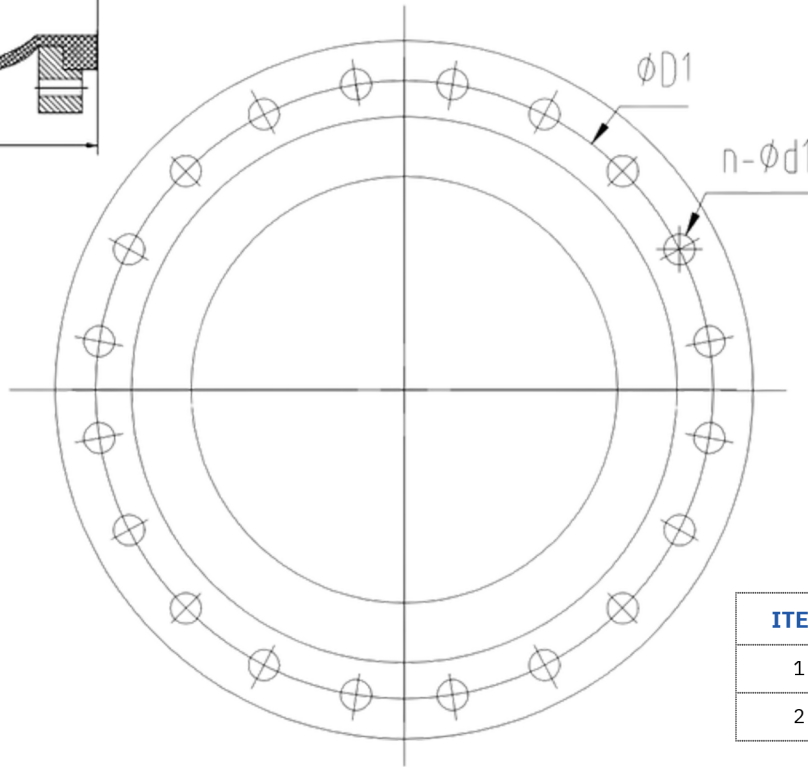




Flange: Table E, Cast Steel

Rubber: EPDM

Pressure Rating: 16bar



ITEM	NAME	MATERIAL
1	Sphere	EPDM
2	Flange	CS

SPECIFICATIONS

Part Number	Size		L	AS2129 Table E		
	Inches	DN		D	D1	n-d1
FRB-TE-50	2	50	43	150	114	4-18
FRB-TE-65	2.5	65	46	165	127	4-18
FRB-TE-80	3	80	64	185	146	4-18
FRB-TE-100	4	100	64	215	178	8-18
FRB-TE-125	5	125	70	255	210	8-18
FRB-TE-150	6	150	76	280	235	8-22
FRB-TE-200	8	200	89	335	292	8-22



**CONTACT OUR
SALES TEAM TODAY**
1800 810 670

sales@southernpumping.com.au
www.southernpumping.com.au



**SOUTHERN
PUMPING**

